



Spend a little Live a lot



Spend a little Live a lot



MITRE SAW STAND

AUS



Vers.No. 181108

Contents

CONTENTS:

- Explanation of the symbols on the equipment.....07
- Introduction08
- Overview09
- Scope of delivery09
- Intended use09
- Safety regulations10
- Assembly instructions11
- Adjustments and Operation.....12
- Technical data12
- Transport13
- Maintenance13
- Disposal and recycling13
- Warranty Details14
- Repair and Refurbished Goods or Parts Notice15

ALDI guarantees that our exclusive brand products are developed to our stringent quality specifications. If you are not entirely satisfied with this product, please return it to your nearest ALDI store within 60 days from the date of purchase for a full refund or replacement, or take advantage of our after sales support by calling the supplier's Customer Service Hotline.

Made in China
WORKZONE TITANIUM is a registered trademark of ALDI Stores
DISTRIBUTED BY:
ALDI STORES
1 SARGENTS ROAD
MINCHINBURY NSW 2770
www.aldi.com.au

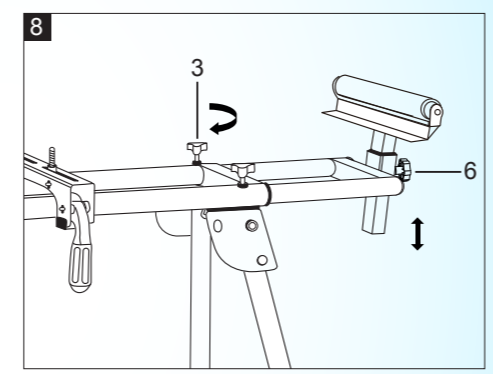
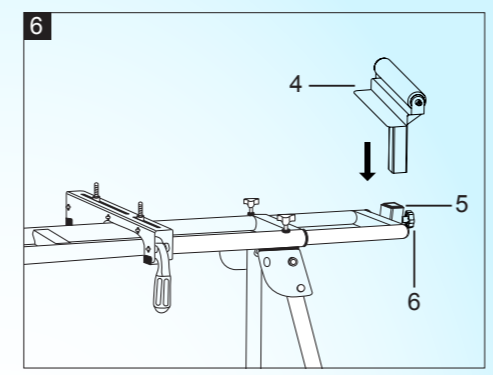
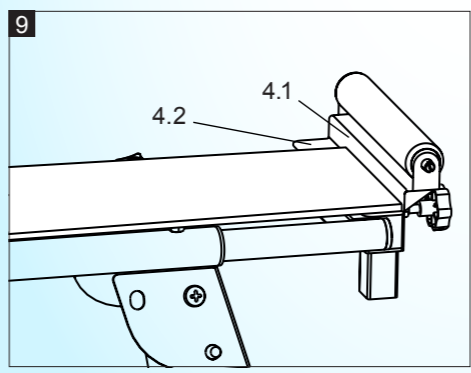
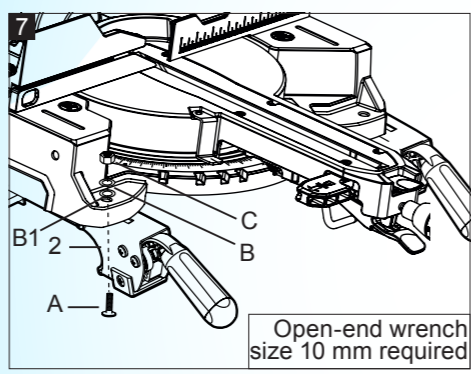
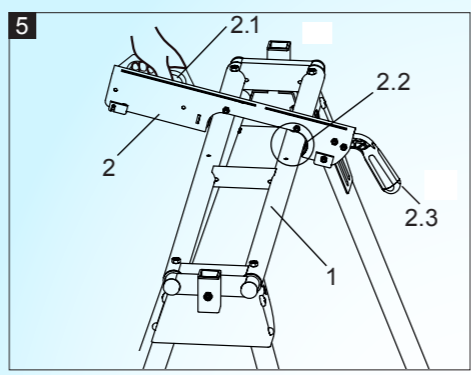
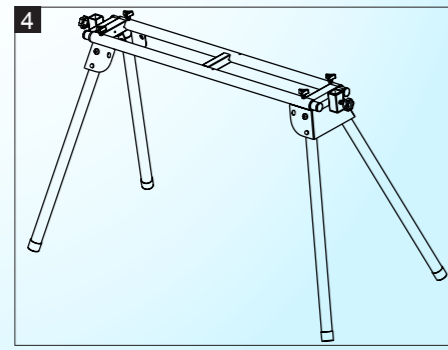
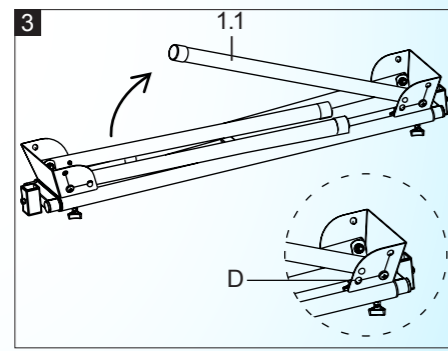
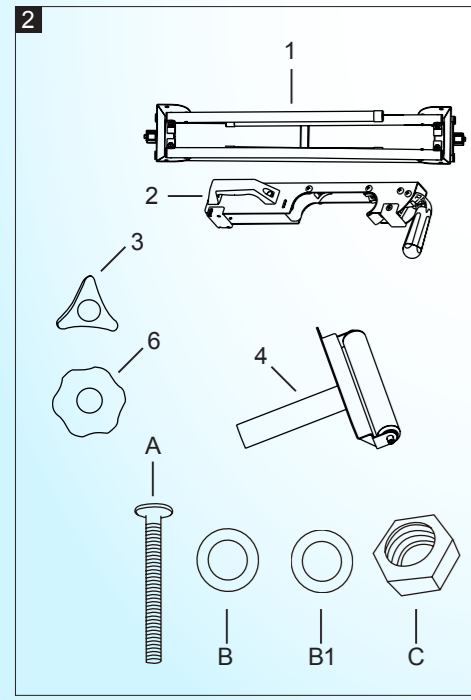
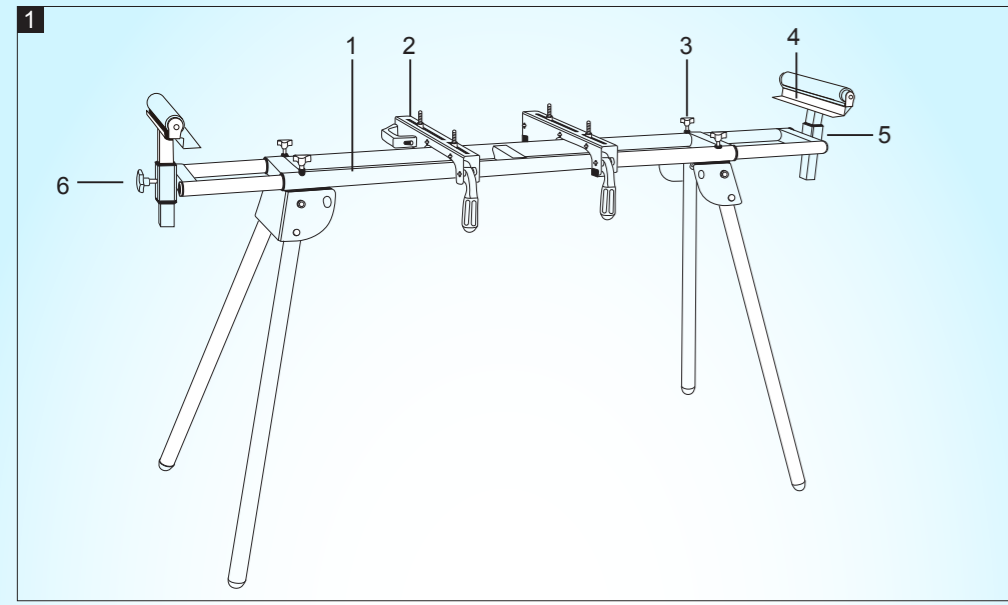
AFTER SALES SUPPORT



AUS 1300 855 831 support@scheppach.com.au

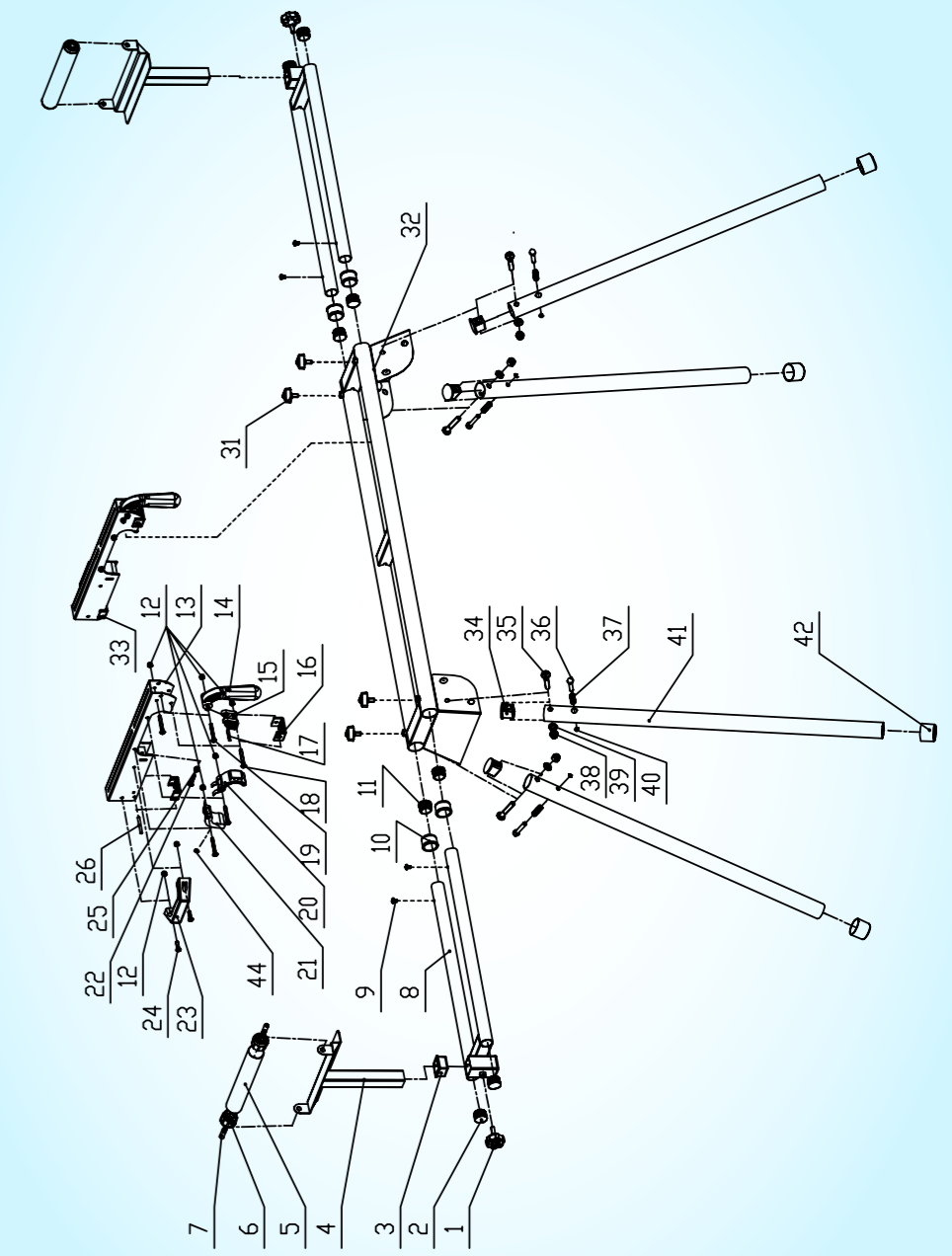
MODEL: UMF1600 PRODUCT CODE: 42929 06/2019





Pack contents/parts

- 1 1 x Mitre saw stand
- 2 2 x Support bracket
- 3 4 x Star knob screw (short)
- 4 2 x Roller support
- 5 2 x Mounting tube
- 6 2 x Star knob screw (long)
- 7 4 x Socket head screw, M6x60 mm
- 8 4 x Nut M6
- 9 4 x Washer 6 mm
- 10 4 x Spring washer 6 mm
- 11 1 x Manual
- 12 1 x Warranty certificate



AFTER SALES SUPPORT

support@scheppach.com.au

AUS 1300 855 831

UMF1600 PRODUCT CODE: 42929 06/2019

Explanation of the Symbols



Read the operating instructions to reduce the risk of injury

⚠ ATTENTION!

These operating instructions provide places concerning your safety which are marked with this symbol.

⚠ CAUTION!

Failure to follow these instructions may cause risk of injury.

⚠ WARNING!

Failure to follow these instructions may cause danger to life or serious injuries.

I. Introduction

Congratulations on choosing to buy a WORKZONE TITANIUM® product. All products brought to you by WORKZONE TITANIUM® are manufactured to the highest standards of performance and safety, and as part of our philosophy of customer service and satisfaction, are backed by our comprehensive 5 Year Warranty. We hope you will enjoy using your purchase for many years to come.

Note:

The manufacturer of this device is not liable for damages which arise on or in connection with this device in case of:

- improper handling,
- non-compliance with the instructions for use,
- repairs by third parties,
- installation and replacement of non-original spare parts,
- improper use.

Recommendations:

Read the entire text of the operating instructions prior to the assembly and operation of the device.

These operating instructions are intended to make it easier for you to become familiar with your device and utilise its intended possibilities of use.

The operating instructions contain important notes on how to work safely, properly and economically with your device and how to avoid dangers, save repair costs, reduce downtime, and increase the reliability and working life of the device.

In addition to the safety regulations contained herein, you must in any case comply with the applicable regulations of your country with respect to the operation of the device.

Put the operating instructions in a clear plastic folder to protect them from dirt and humidity, and store them near the unit. The instructions must be read and carefully observed by each operator prior to starting the work. Only persons who have been trained in the use of the device and have been informed on the related dangers and risks are allowed to use the device.

In addition to the safety notes contained in the present operating instructions and the special regulations of your country, the generally recognised technical rules for the operation of wood working devices must be observed.

II. Overview (Fig. 1-2)

1	Mitre Saw Stand
2	Support bracket
3	Star knob screw (short)
4	Roller support
5	Mounting tube
6	Star knob screw (long)

III. Scope of delivery

Mitre Saw Stand (1 Pcs.)	Support bracket (2 Pcs.)
Roller support (2 Pcs.)	Star knob screw; long (2 Pcs.)
Star knob screw; short (4 Pcs.)	Socket head screw, M6x60 mm (4 Pcs.)
Nut M6 (4 Pcs.)	Washers 6 mm (4 Pcs.)
Spring washer (4 Pcs.)	Manual (1 Pcs.)
Warranty certificate (1 Pcs.)	

- Open the packaging and remove the device carefully and place the product and accessories on a flat surface.
- Remove the packaging material as well as the packaging and transport bracing
- Check that the delivery is complete. (Call the help line if you are missing any parts)
- Check the device and accessory parts for transport damage.
- If possible, store the packaging until the warranty period has expired.

⚠ ATTENTION!

The device and packaging materials are not toys!

Children must not be allowed to play with plastic bags, film and small parts!

There is a risk of swallowing and suffocation!

IV. Intended use

The universal Mitre Saw Stand has been designed for the use with other bench top machines that have similar fixing points.

Do not use the Mitre Saw Stand in combination with machines that do not have fixing holes.

Before starting work, any machine must be firmly bolted onto the Mitre Saw Stand and then attached to the Mitre Saw Stand as described.

The maximum work piece length is 2.5 metres, the maximum work piece thickness is 20 mm.

AFTER SALES SUPPORT

If required, use additional roller supports (e.g. a roller block) to support work pieces. Do not place working and measuring tools on the multi-purpose saw bench. In general, the work pieces to be processed must be free from foreign matters, such as nails or screws.

Any other use is considered to be not intended. The manufacturer is not liable for resulting damages, the risk is exclusively borne by the user.

This product is for private domestic use only and is not intended for commercial, industrial or trade use. Our warranty will be voided if the equipment is used in commercial, trade or industrial businesses or for equivalent purposes.

V. Safety regulations

⚠ CAUTION!

Read all safety regulations and instructions.

Read and follow these instructions before using the equipment and keep the safety information in a safe place for future reference.

- The device has been constructed according to the state of the art and the recognized safety rules. Nevertheless, single residual risks may occur during the operation.
- Keep children away during assembly and operation.
- Inspect the product for damage before each use.
- Ensure the work piece is securely and properly clamped during operation.
- Risk of injury from swinging workpiece with improper support, or work without guidance.
- Risk of injury for fingers and hands caused by the rotating saw blade of the table circular saw in case of an improper guidance of the work piece.
- Larger work pieces, e.g. panels, may tilt during the processing and must, therefore, be additionally guided and supported.
- Furthermore, non-obvious residual risks may exist in spite of all measures taken.
- Residual risks can be minimised by carefully observing the “Intended Use” instructions as well as the entire operating instructions.

Keep this safety information in a safe place.

VI. Assembly instructions

The Mitre Saw Stand should be assembled completely before use.

Proceed as follows:

1. Legs, Fig. 3-4

- Place the product upside down on the ground.
- Press the spring bolt (D) and keep it in position.
- Slightly unfold the leg (1.1) and release the spring bolt. Unfold the leg further until the spring bolt snaps in position.
- Repeat the same action for the other 3 legs.
- Turn over the product and place it onto the ground. Ensure the legs stand correctly on an even and stable ground.

⚠ WARNING! Always ensure the bolts of four legs snap in position before using the product/placing the Mitre Saw Stand on the ground.

2. Installing the support brackets (Fig. 5)

- Ensure the handle (2.3) is disengaged.
- Hook the front end onto the sliding frames and then place the support bracket (2) onto the product. **⚠ WARNING! Danger of clamping finger when pushing handles downward!**
- Push the rear end downward to hook it onto the sliding frames.
- Push the handle (2.1) downward to secure the support bracket in position.
- Repeat the same action for the other support bracket.

3. Installing the roller supports (Fig. 6)

- Align and insert the mast of the roller support (4) into the mounting tube (5).
- Hold the roller support on the desired height and tighten the star knob screw (long) (6) to secure it in position.
- Repeat the assembly for the other roller support.
- Fix the star-knob screws (3) into the threads of the Mitre Saw Stand. The workpiece support can be adjusted in its length and height by lowering the star-knob screws (3 and 6).

4. Fitting a machine (Fig. 7)

Several bench machines can be fitted to your universal Mitre Saw Stand by adjusting the support brackets (2) in its distance to the mounting holes of your device.

- Position your Mitre Saw onto the support brackets (2).
- Fasten the Mitre Saw to the support brackets by using 4 hexagon bolts, 4 lock washers, 4 spring washers and 4 hexagon nuts (supplied).
- Tighten the screws firmly with an open-end wrench (wrench size 10 mm).
- Set the support brackets (2) with the assembled Mitre Saw onto the universal Mitre Saw Stand as described under point 2.

AFTER SALES SUPPORT

⚠ WARNING! Ensure the mitre saw is always stable and secure during operation.

(Remark: only Mitre Saws with screw holes and a maximum weight of no more than 150 kg should be used with this Mitre Saw Stand.)

VII. Adjustments and Operation

1. Using the work piece stops, Fig. 8 - 9

The roller supports have integrated work piece stops (4.1/4.2) that can be used for sawing pieces of timber to the same length. Simply set to the desired length and height. Tighten the star knob screws firmly.

2. Use your bench machine as a single unit

⚠ ATTENTION: Remove the mains plug from the Mitre Saw!

After having fitted the support brackets (2), your Mitre Saw can also be used separately from the universal Mitre Saw Stand.

For this purpose, pull the two locking handles, lift the machine slightly at the rear and push to the front. The Mitre Saw can now be removed.

VIII. Technical data

dimension (l x w x h) in mm	1000 - 1650 x 580 x 810-910
table height in mm	750
roller supports height max. in mm	910
distance support min. / max. in mm	1000 - 1650
saw fitting length max. in mm	375
max. loading capacity in kg (including the assembled bench machine and work piece)	150
weight in kg	12.5

IX. Transport

For relocation within the workshop, the universal saw table can be lifted by the transport handles (two person lift recommended). Do not drag it across the floor. For relocation, any attached Mitre Saw must be put into its transport position (observe your Mitre Saw's operating instructions), and the power supply plug must be removed from any power outlet.

Never move the Mitre Saw Stand while any attached Mitre Saw is plugged in or running.

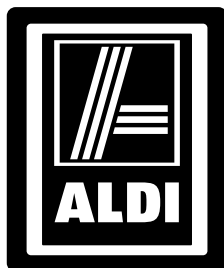
For transport in vehicles, any attached Mitre Saw must be removed and the base legs folded in.

X. Maintenance

- In order to ensure good mobility of the components, dust and dirt should be removed regularly and all moving parts (rollers, extension arms) must be lubricated at regular intervals. Cleaning is best carried out with compressed air or a rag.
- Never use caustic agents to clean plastic parts.

XI. Disposal and recycling

The equipment is supplied in packaging to prevent it from being damaged in transit. The raw materials in this packaging can be recycled. The equipment and its accessories are made of various types of material, such as metal and plastic. Never place defective equipment in your household refuse. The equipment should be taken to a suitable collection centre for proper disposal. If you do not know the whereabouts of such a collection point, you should check with your local council offices.



WORKZONE[®]
TITANIUM+

MITRE SAW STAND

Warranty Details

REGISTER YOUR PURCHASE AT www.aldi.com.au/en/about-aldi/product-registration/ TO KEEP UP-TO-DATE WITH IMPORTANT PRODUCT INFORM

The product is guaranteed to be free from defects in workmanship and parts for a period of 60 months from the date of purchase. Defects that occur within this warranty period, under normal use and care, will be repaired, replaced or refunded at our discretion.

The benefits conferred by this warranty are in addition to all rights and remedies in respect of the product that the consumer has under the Competition and Consumer Act 2010 and similar state and territory laws.

Our goods come with guarantees that cannot be excluded under the Australian Consumer Law. You are entitled to a replacement or refund for a major failure and for compensation for any other reasonably foreseeable loss or damage. You are also entitled to have the goods repaired or replaced if the goods fail to be of acceptable quality and the failure does not amount to a major failure.



WORKZONE[®]
TITANIUM+
MITRE SAW STAND

Repair and Refurbished Goods or Parts Notice

Unfortunately, from time to time, faulty products are manufactured which need to be returned to the Supplier for repair.

Please be aware that if your product is capable of retaining user-generated data (such as files stored on a computer hard drive, telephone numbers stored on a mobile telephone, songs stored on a portable media player, games saved on a games console or files stored on a USB memory stick) during the process of repair, some or all of your stored data may be lost. **We recommend you save this data elsewhere prior to sending the product for repair.**

You should also be aware that rather than repairing goods, we may replace them with refurbished goods of the same type or use refurbished parts in the repair process.

Please be assured though, refurbished parts or replacements are only used where they meet ALDI's stringent quality specifications.

If at any time you feel your repair is being handled unsatisfactorily, you may escalate your complaint. Please telephone us on 1300 855 831 or write to us at:

RossMac Pty. Ltd.
P.O. Box 261, Essendon North, Victoria, 3041
1300 855 831
support@schepach.com.au

AFTER SALES SUPPORT

15

AFTER SALES SUPPORT

17

  **1300 855 831**

 **support@scheppach.com.au**

MODEL: UMF1600 PRODUCT CODE: 42929 06/2019

